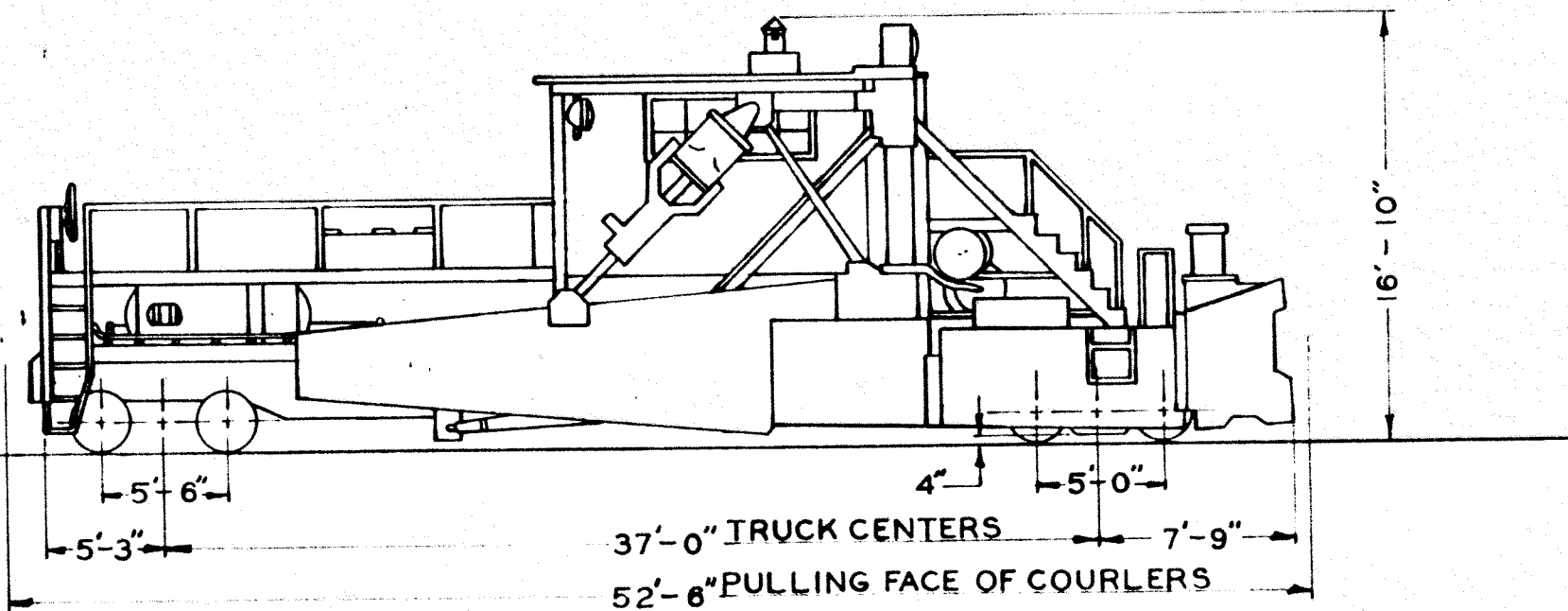


JORDAN SPREADERS, NO. 5 & 6



BUILT BY
 DATE BUILT
 REBUILT BY
 PURCHASED FROM
 PLACED IN SERVICE
 WHEELS
 TRUCKS
 AXLES
 BEARINGS
 UNDERFRAME
 LIGHTWEIGHT - LBS.
 CAPACITY - LBS.
 COUPLERS
 YOKES
 AIRBRAKES

O. F. JORDAN CO.
 3-1929
 O. F. JORDAN CO.
 33"
 UNIT
 FRONT 6"X11", REAR 5 1/2"X10"
 FRICTION
 STEEL
 TYPE - E 60 A. S. F.
 A. S. F.
 AB. 10"X12" CYL.

GENERAL DIMENSIONS:
 TRAIN LENGTH 52'-6"
 MAX. HEIGHT 16'-10"
 MAX. WIDTH OVER WINGS (WINGS IN) 10'-3"
 PROJECTION OF OPEN WING FROM CTR. OF TRACK 20'-5"
 SIZE OF WING 48" X 20'-0"
 VERTICAL ADJUSTMENT OF WINGS APPROX. 36"